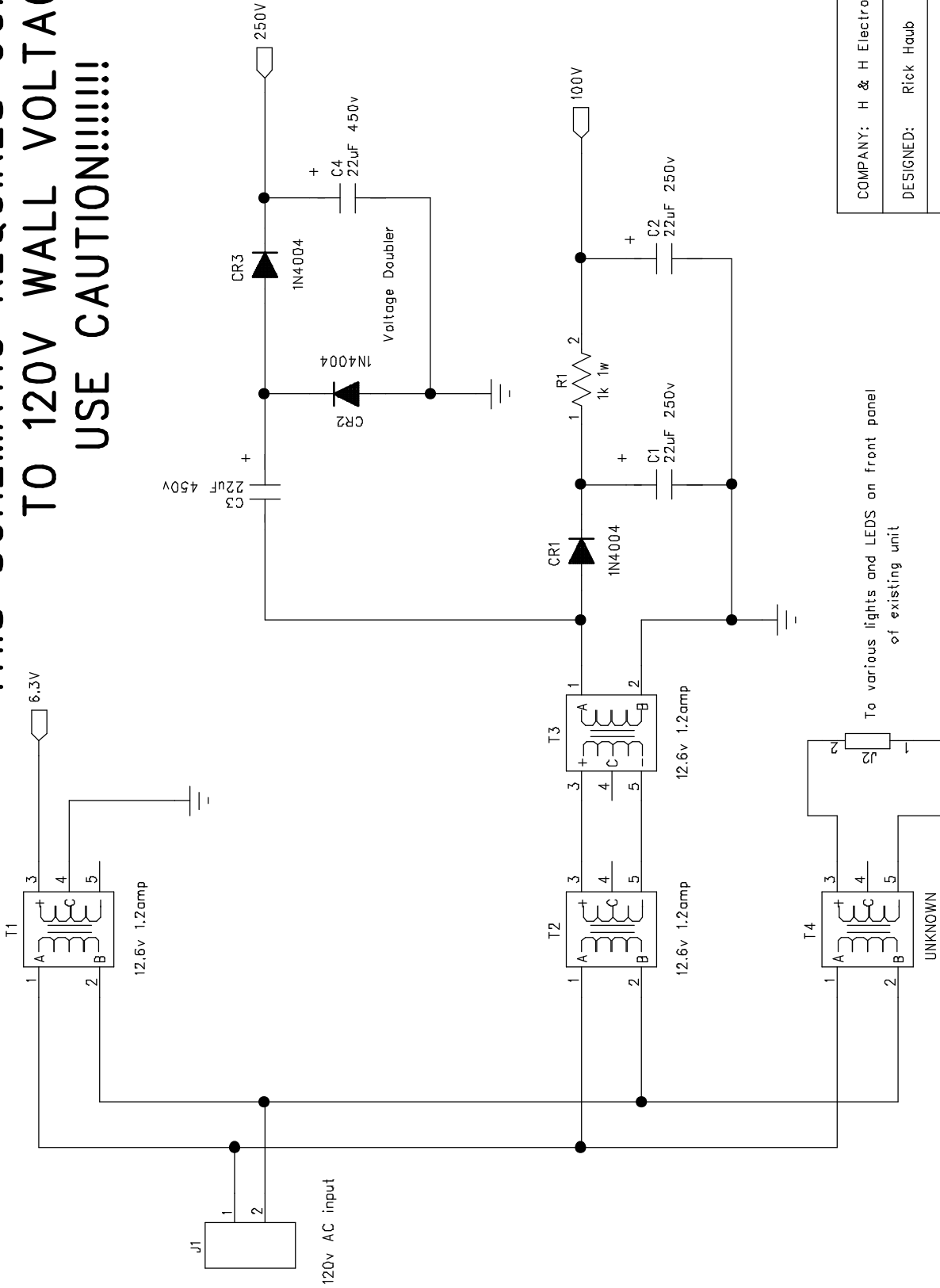


**WARNING!!!!!!!
THIS SCHEMATIC REQUIRES CONNECTION
TO 120V WALL VOLTAGE
USE CAUTION!!!!!!!**



COMPANY: H & H Electronic Services		
DESIGNED: Rick Haub		
DATE: (c) 2004		
SIZE: A	H & H MMRX Power Supply	VERSION: A
	NUMBER: 127	

To various lights and LEDs on front panel
of existing unit